

Ref Code:
Room Type:
Description: Wall-hung Toilet
Brand: Bravat

Color: -
Finishing: -
Materials: -
Dimension:



C2166W-ENG

New Moon

Wall-hung Toilet

- Wall-hung Toilet
- 565X360X410mm
- 3 / 6L Dual Flush
- Rough-in: P-trap
- Wash Down
- PP Soft-close Seat Cover
- (Concealed Cistern CD009N is optional for installation)

Unit: PCS

QTY/CTN: 1

CTN Size(mm): 445 x 400 x 610

NW(KGs): 20.00

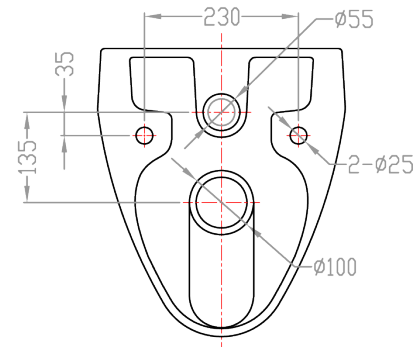
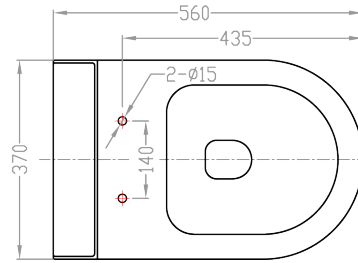
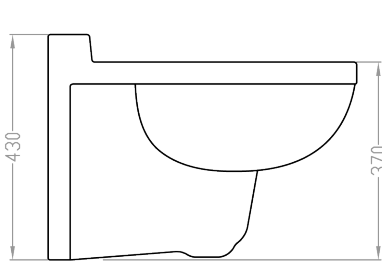
GW(KGs): 25.00

HS Code: 6910100000

Award / Certificate :

- Wels Lable 1

Specification:



More Photos:





Inspiration Enriches Life

www.bravat.com
reddot 